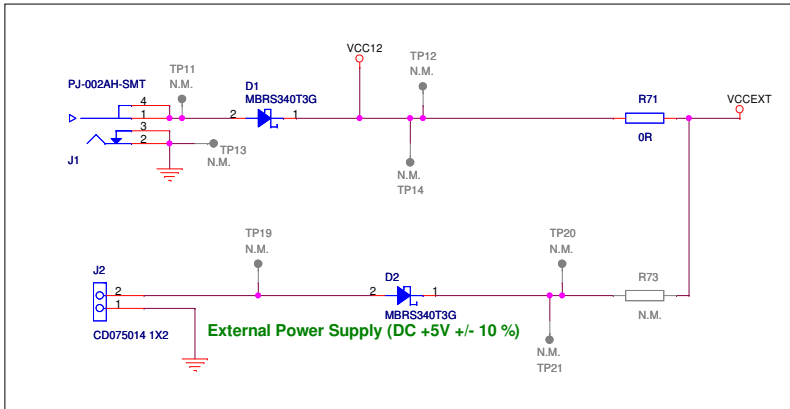
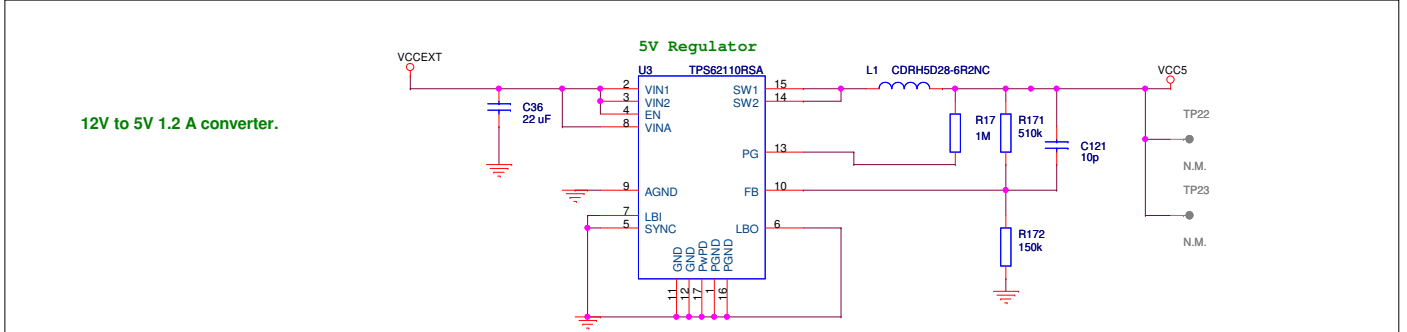
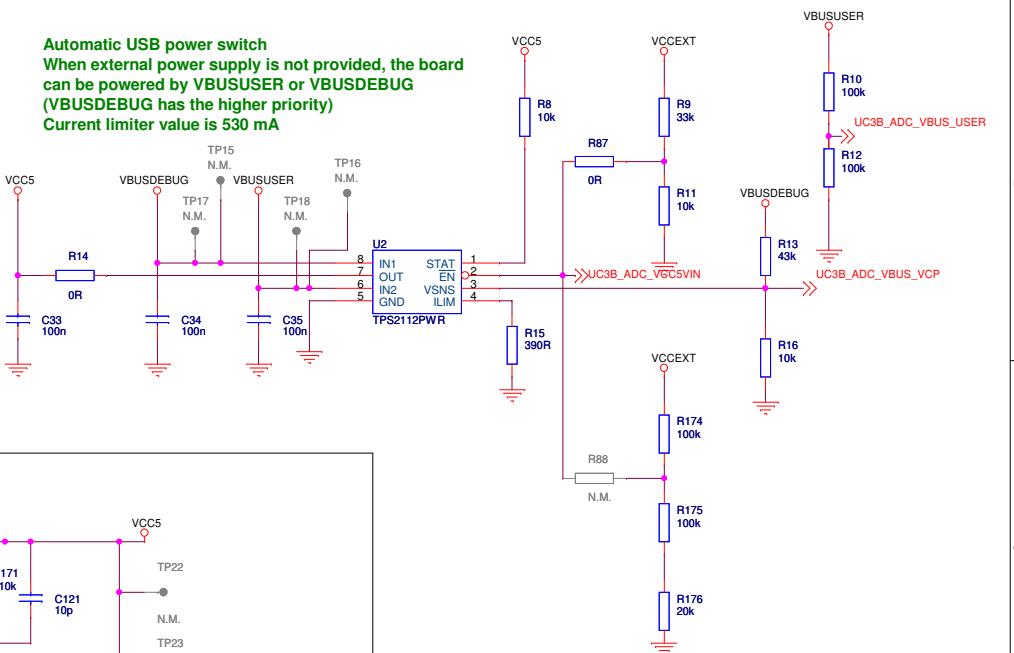


Production			
ATMEL Nantes SA La Chantre BP 70602 44306 Nantes Cedex 3 FRANCE			
Title AT32UC3C-EK			
Size A3	Document Number	Processor	Rev 2
Date:	Thursday, December 10, 2009	Sheet	1 of 13

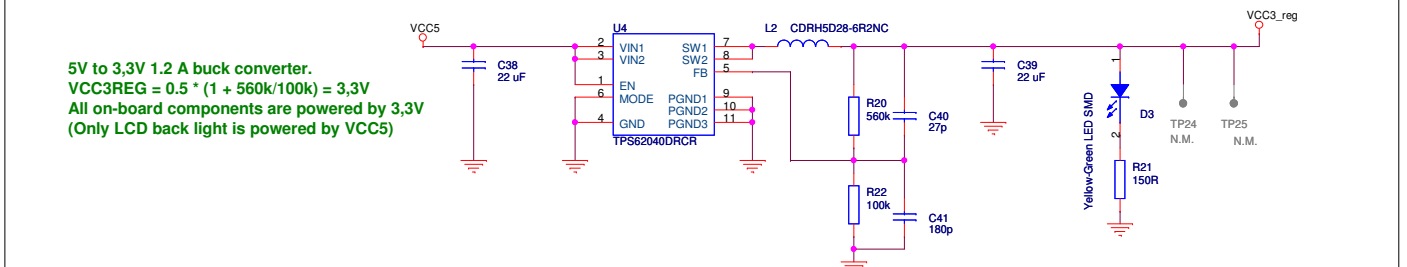


External Power Supply (DC +5V +/- 10%)

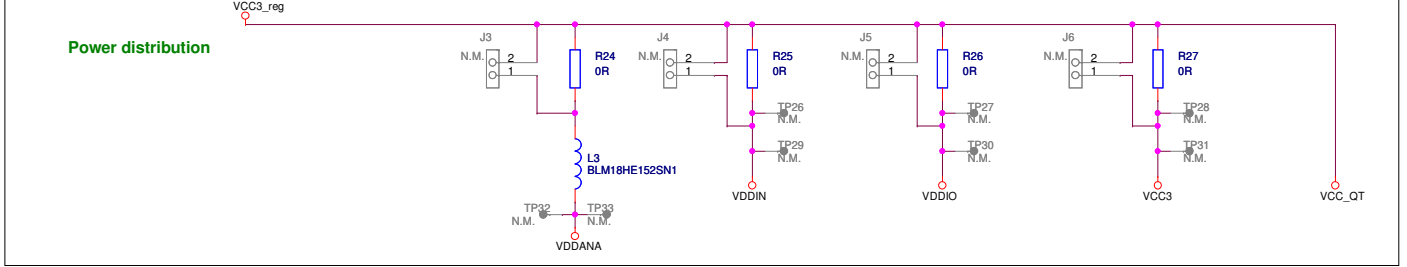
Automatic USB power switch
 When external power supply is not provided, the board can be powered by VBUSUSER or VBUSDEBUG (VBUSDEBUG has the higher priority)
 Current limiter value is 530 mA



12V to 5V 1.2 A converter.



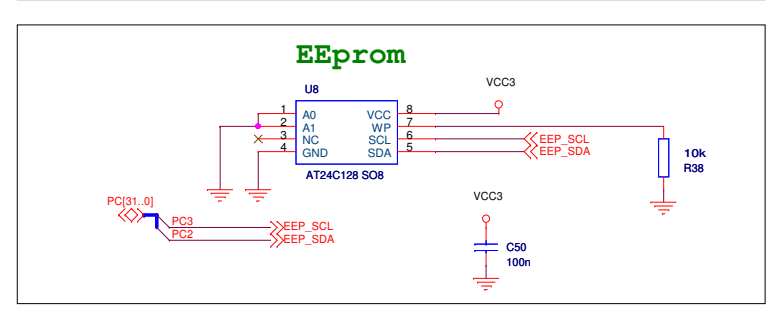
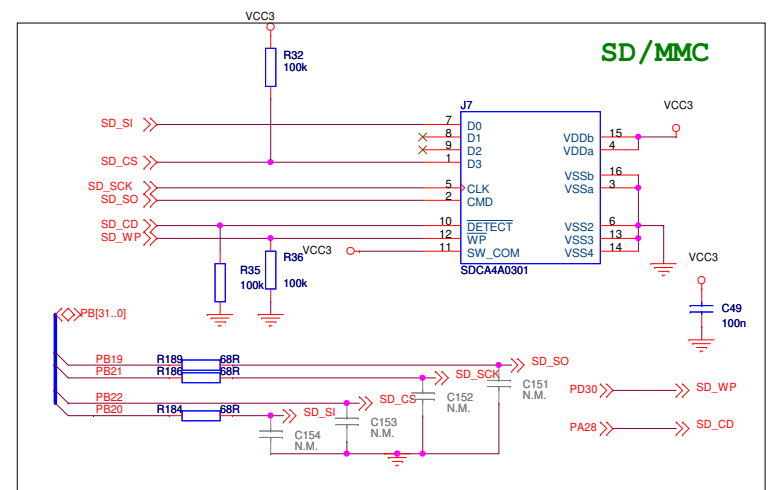
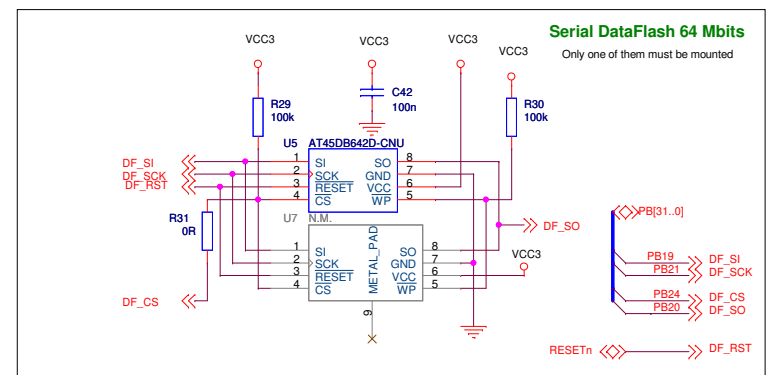
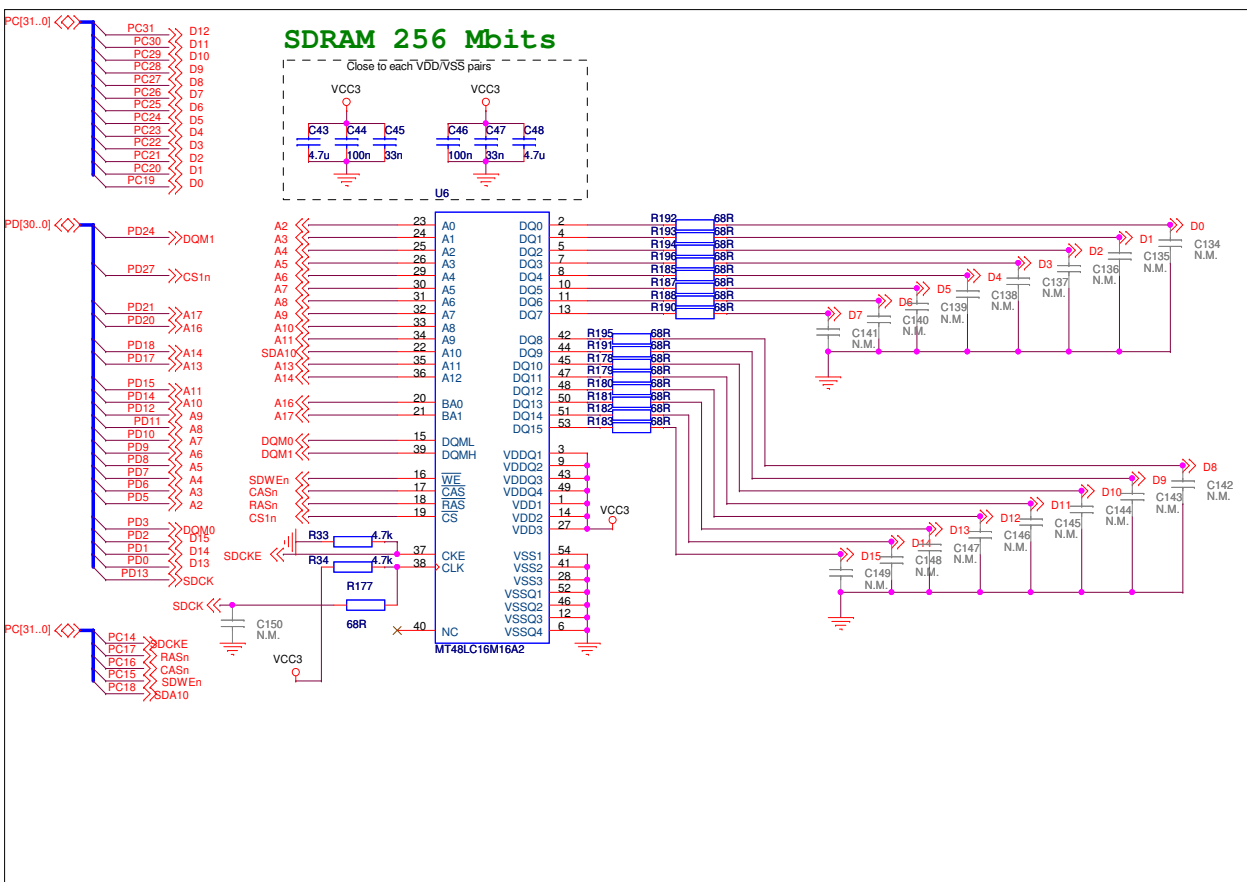
5V to 3,3V 1.2 A buck converter.
 $VCC3REG = 0.5 * (1 + 560k/100k) = 3,3V$
 All on-board components are powered by 3,3V
 (Only LCD back light is powered by VCC5)



Power distribution

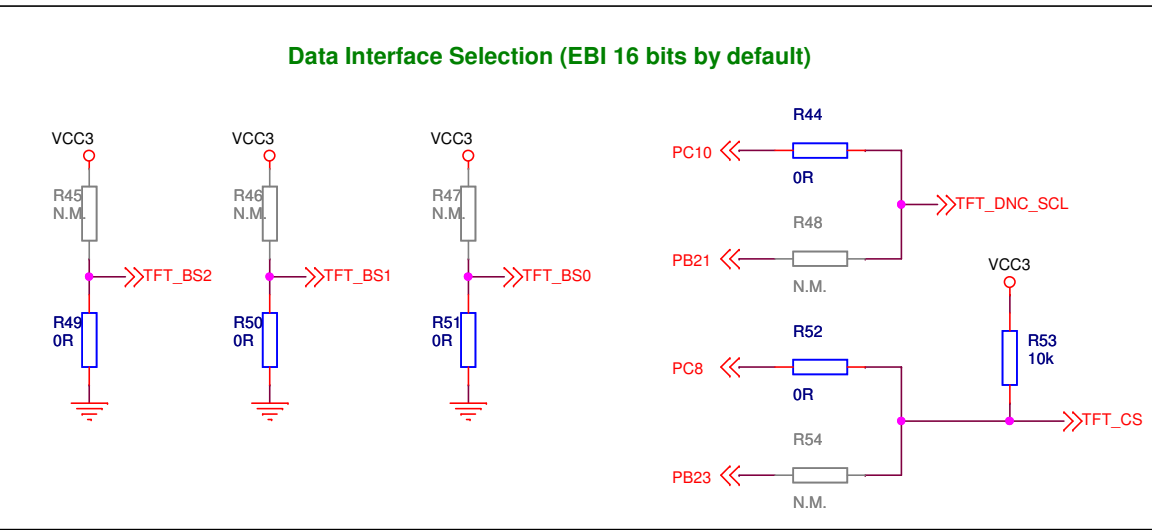
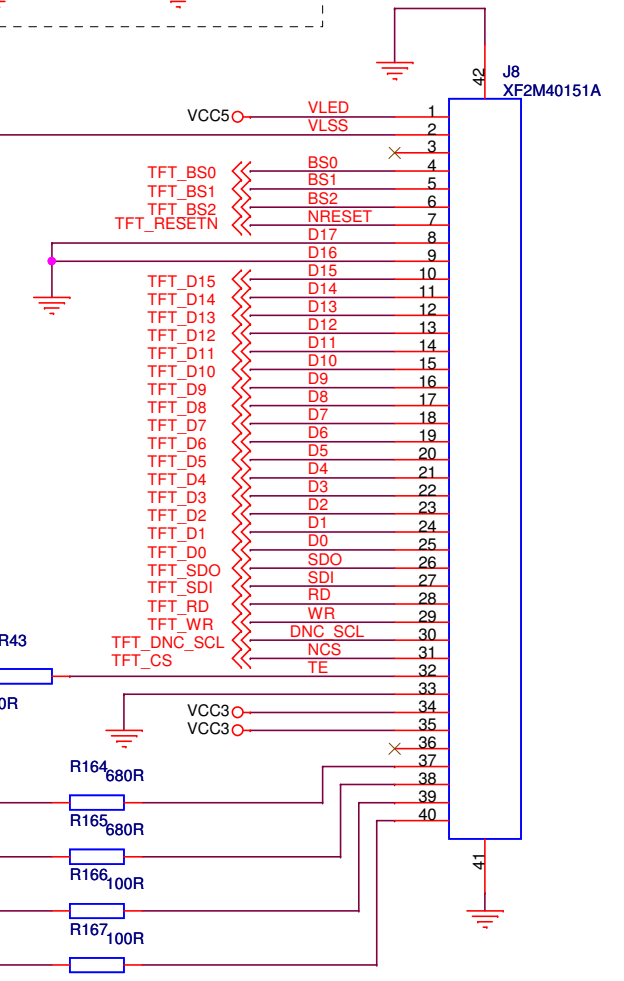
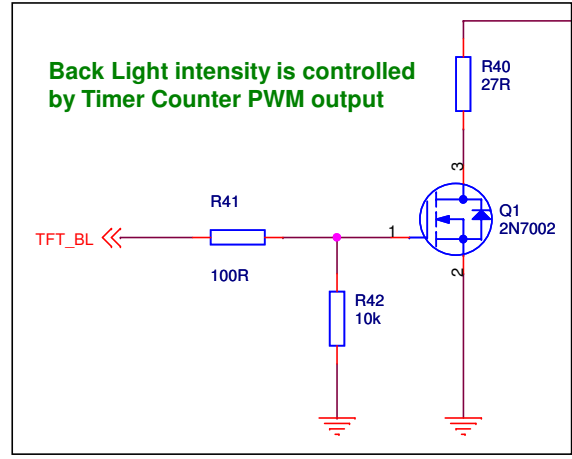
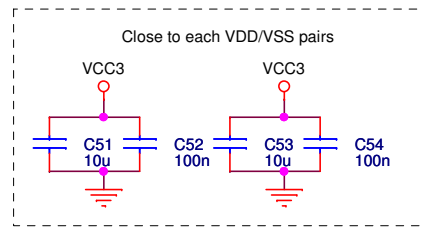
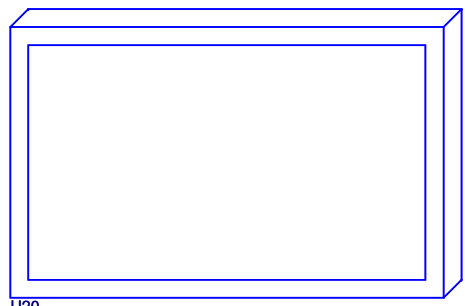
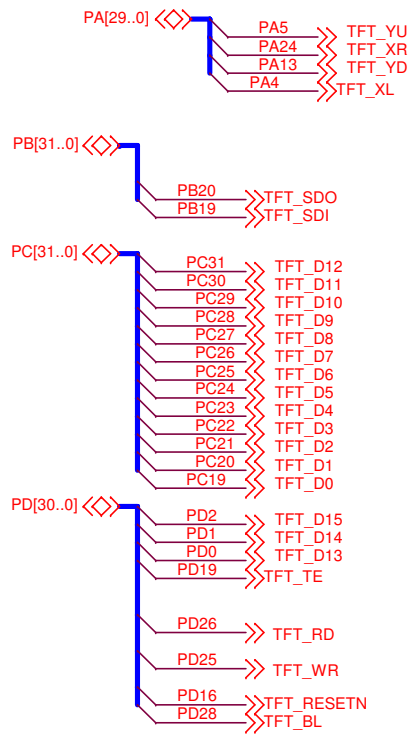
Production		
ATMEL Nantes SA La Chantrerie BP 70602 44306 Nantes Cedex 3 FRANCE		
Title AT32UC3C-EK		
Size A3	Document Number	Rev 2
Date: Monday, November 30, 2009	Power supply	Sheet 2 of 13





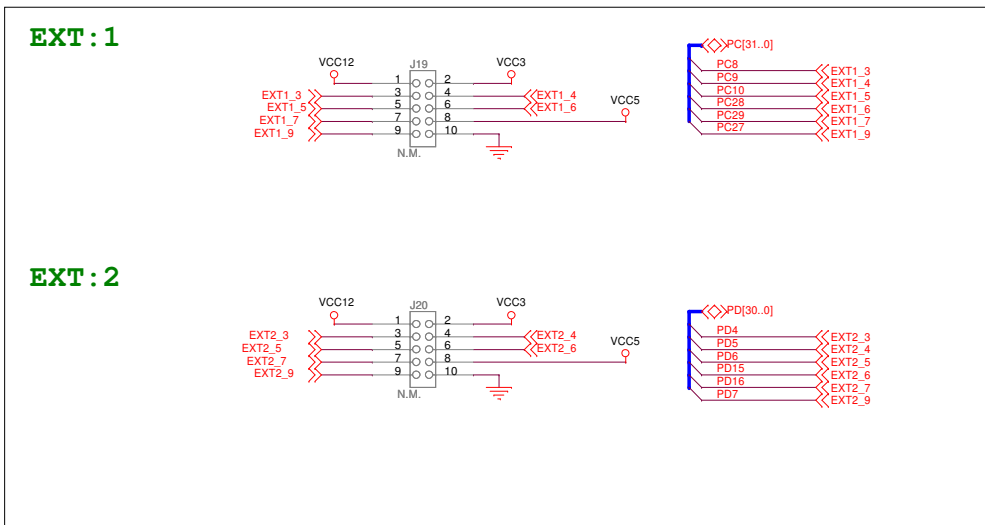
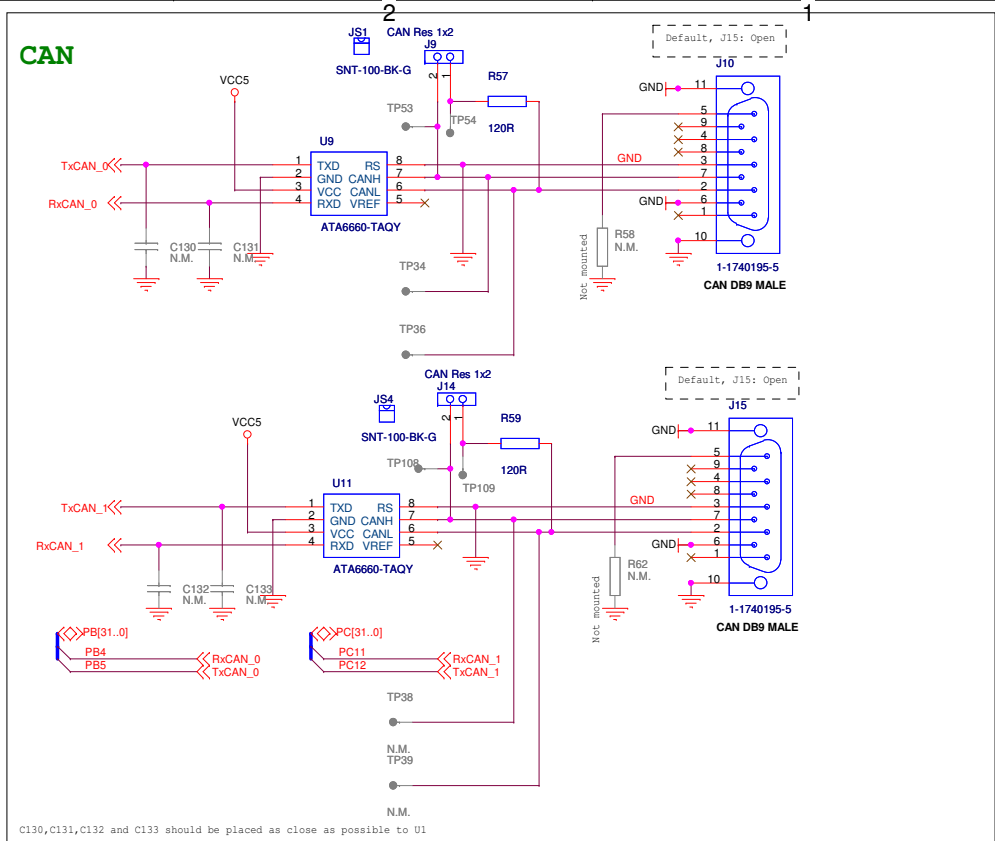
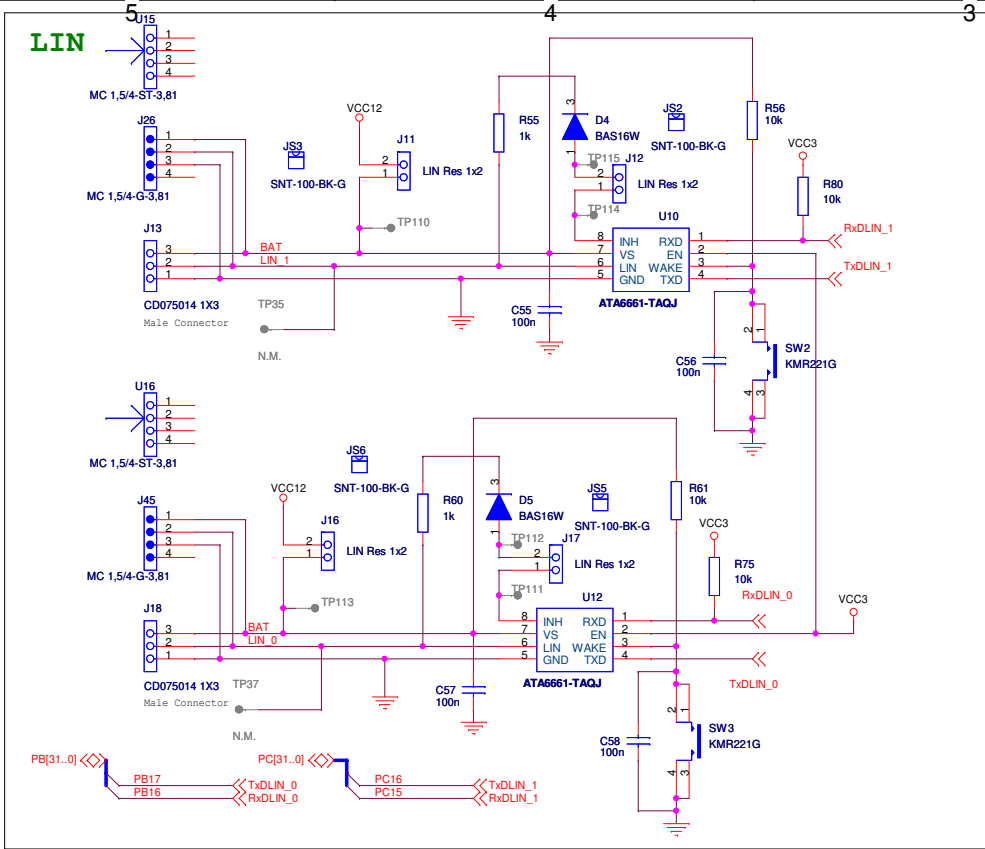
Production		
ATMEL Nantes SA La Chantre BP 70602 44306 Nantes Cedex 3 FRANCE		
Title AT32UC3C-EK		
Size A3	Document Number Memories	Rev 2
Date: Tuesday, October 13, 2009	Sheet 3	of 13





Production

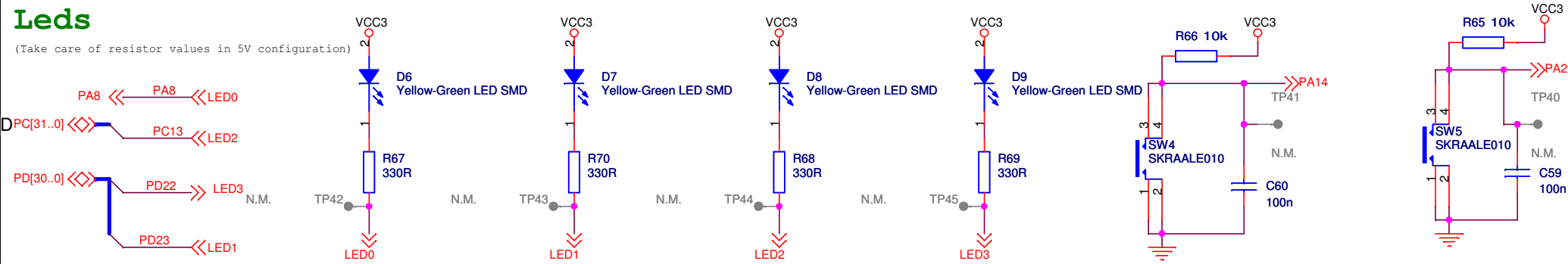
ATMEL Nantes SA La Chantrerie BP 70602 44306 Nantes Cedex 3 FRANCE		
Title	AT32UC3C-EK	
Size	A4	Document Number Lcd
Date:	Tuesday, October 13, 2009	
Sheet	4	of 13
Rev	2	



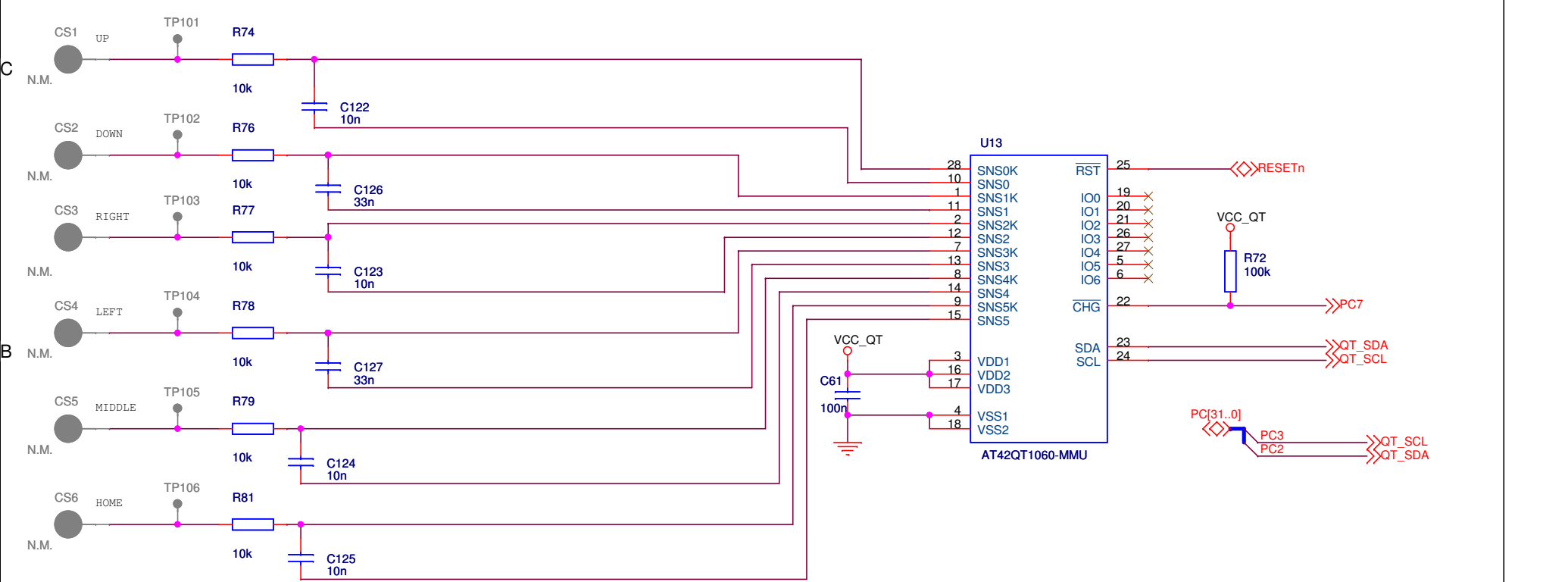
Production		
ATMEL Nantes SA La Chantreterie BP 70602 44306 Nantes Cedex 3 FRANCE		
Title	AT32UC3C-EK	
Size	Document Number	Rev
A3	Networking	2
Date:	Monday, November 30, 2009	Sheet 5 of 13


Leds

(Take care of resistor values in 5V configuration)

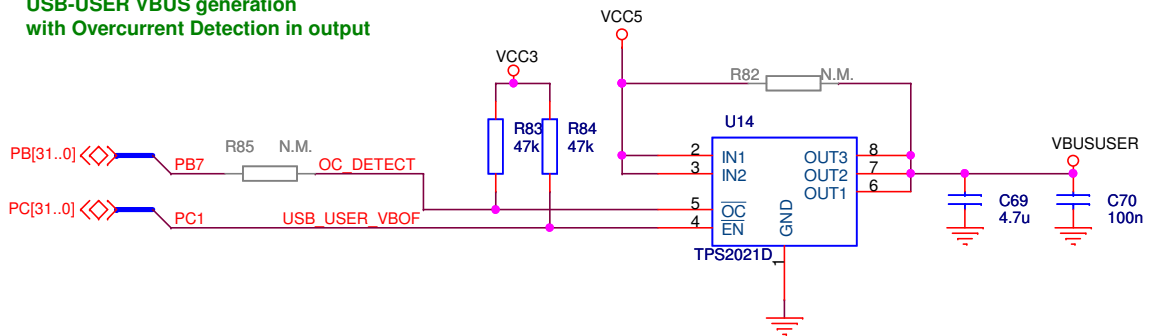


Touch sensors

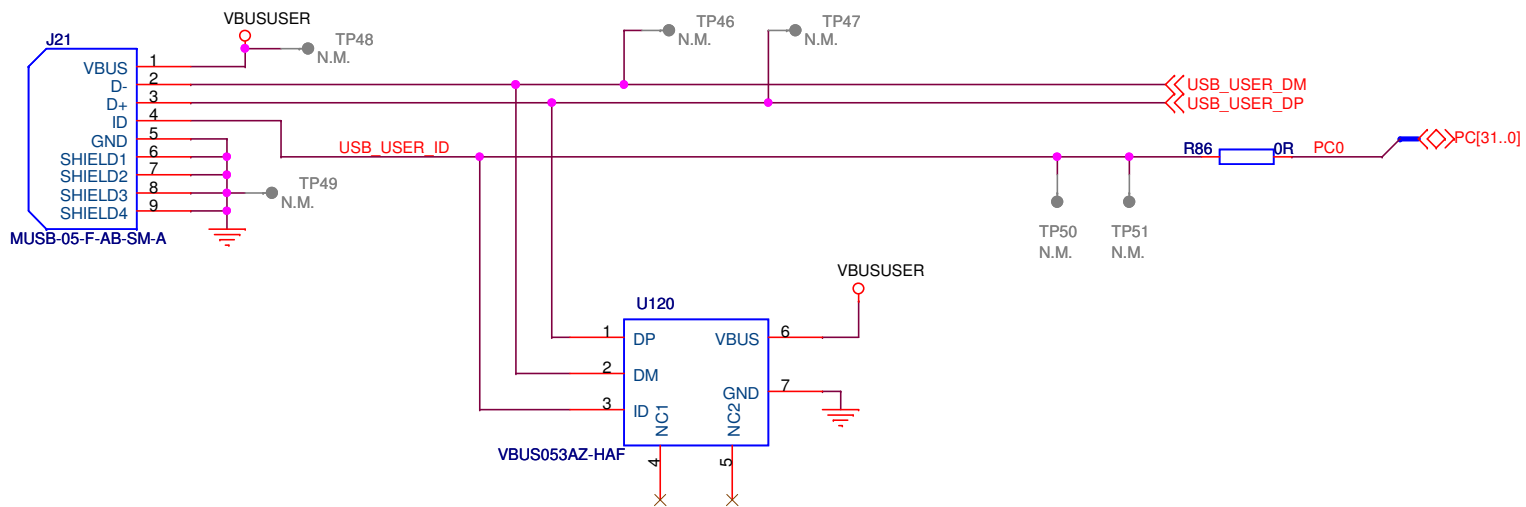


Production		
ATMEL Nantes SA La Chantrerie BP 70602 44306 Nantes Cedex 3 FRANCE		
		
Title AT32UC3C-EK		
Size A4	Document Number Sensors	Rev 2
Date: Tuesday, October 13, 2009	Sheet 6 of 13	

**USB-USER VBUS generation
with Overcurrent Detection in output**



USB-USER connector

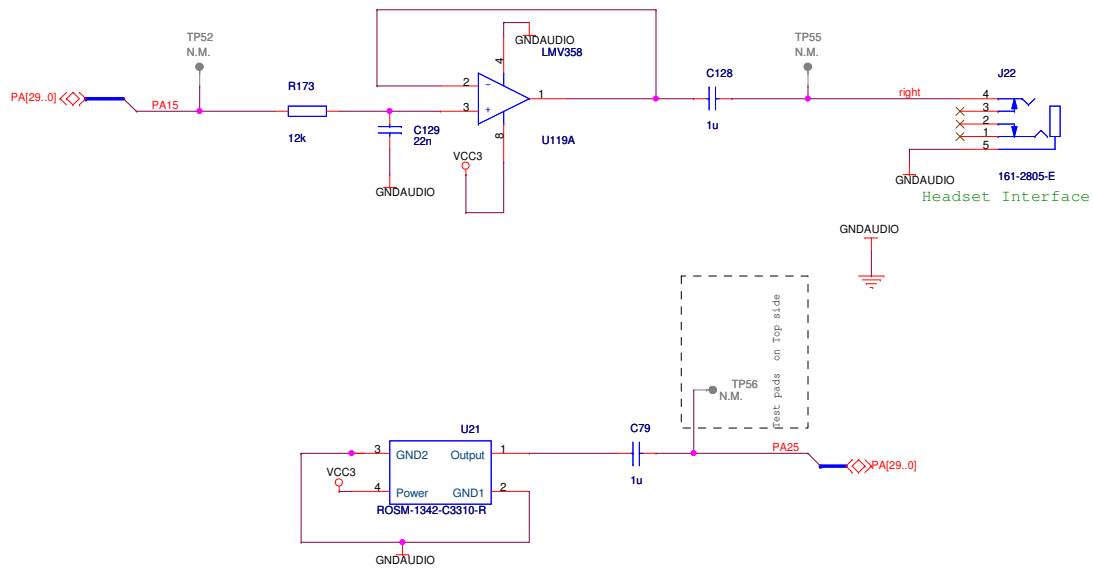


Production

ATMEL Nantes SA
La Chantrerie BP 70602
44306 Nantes Cedex 3
FRANCE



Title		AT32UC3C-EK
Size	Document Number	Rev
A4	USB User	2
Date:	Tuesday, October 13, 2009	Sheet 7 of 13



Production

ATMEL Nantes SA
 La Chantrerie BP 70602
 44306 Nantes Cedex 3
 FRANCE

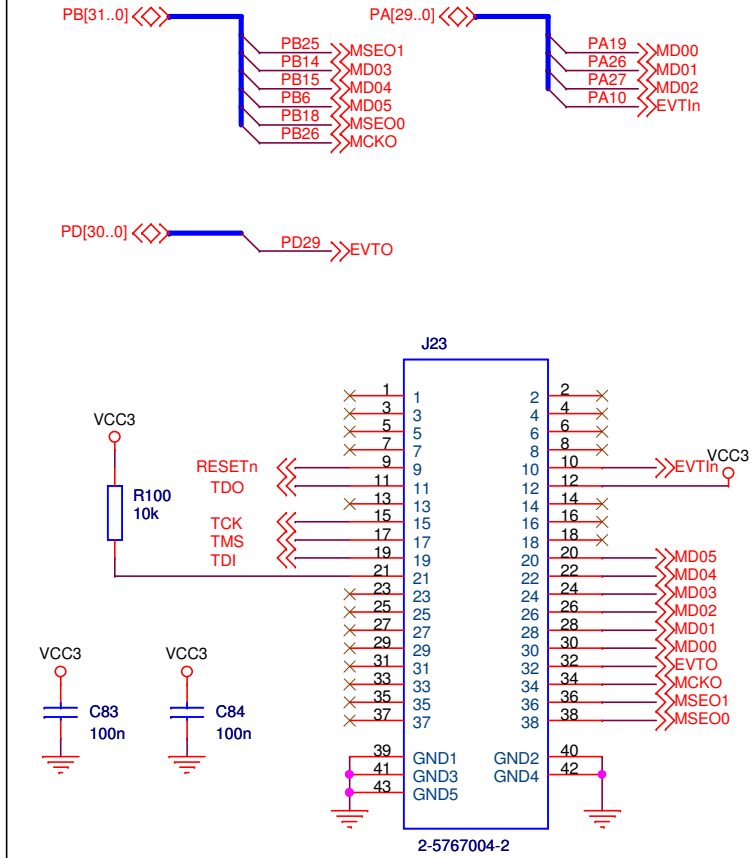


Title AT32UC3C-EK

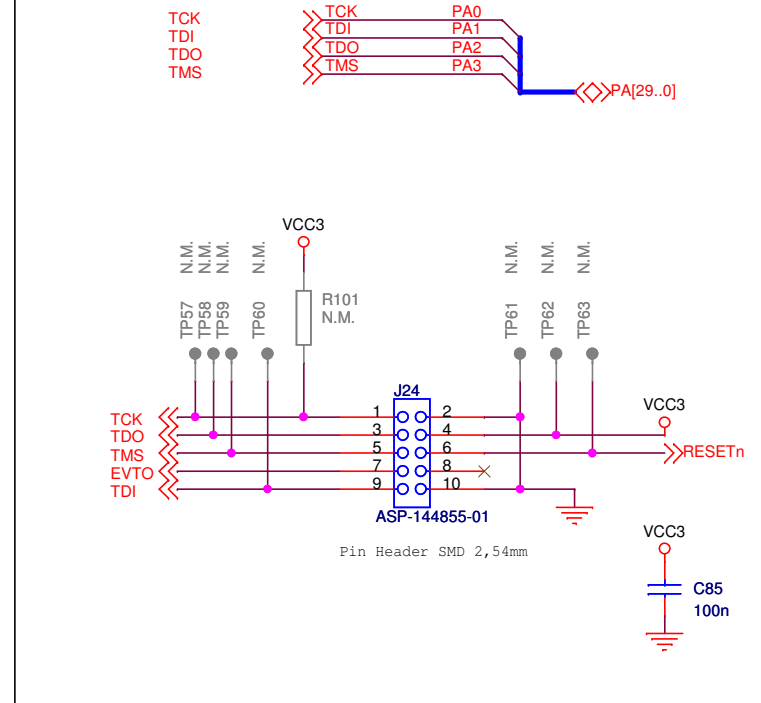
Size A3	Document Number Audio	Rev 2
------------	--------------------------	----------

Date: Monday, November 09, 2009 Sheet 8 of 13

NEXUS Debug Interface



JTAG Interface



Production

ATMEL Nantes SA
La Chantrerie BP 70602
44306 Nantes Cedex 3
FRANCE



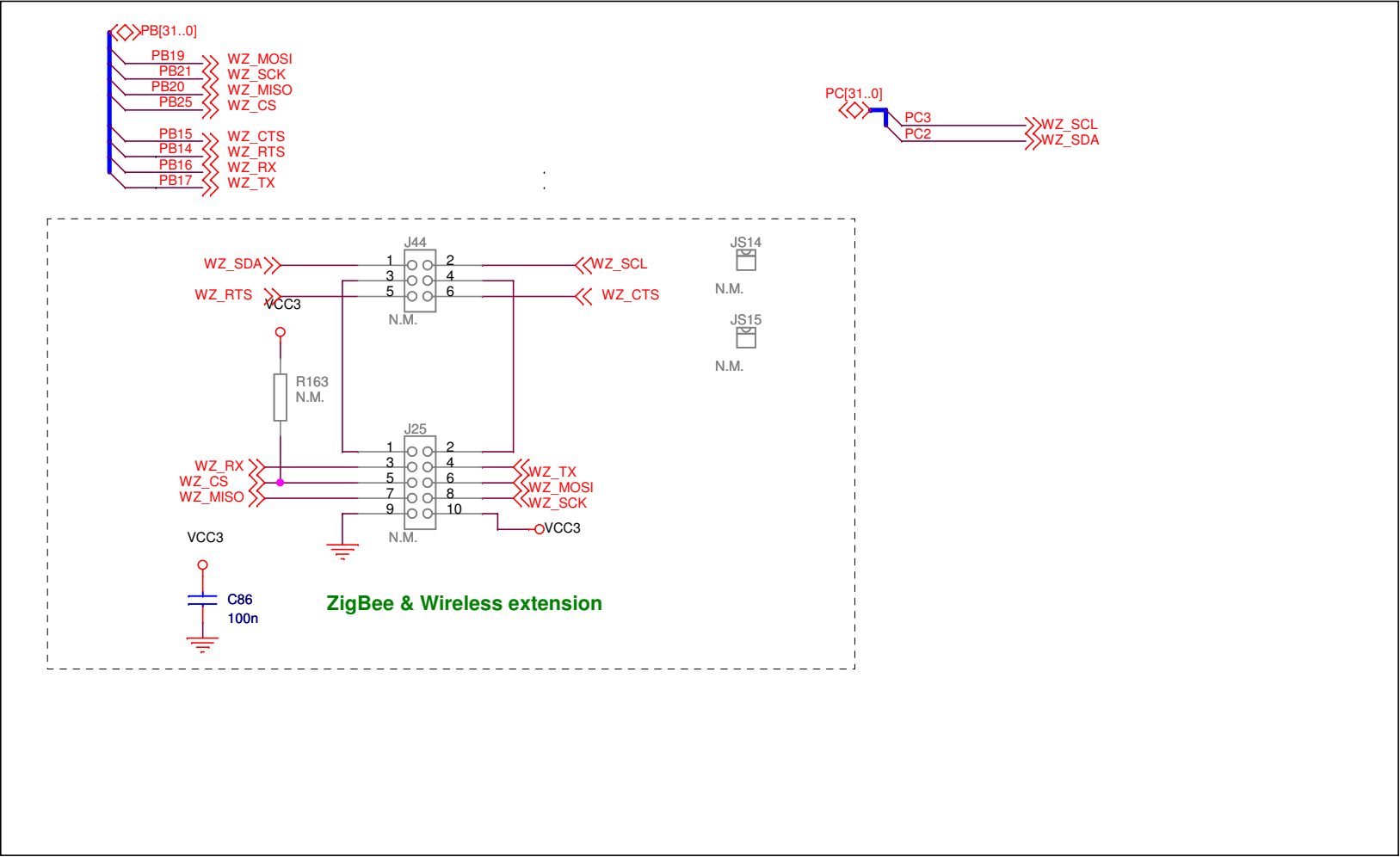
Title AT32UC3C-EK

Size A4

Document Number Debug

Rev 2

Date: Tuesday, October 13, 2009 Sheet 9 of 13



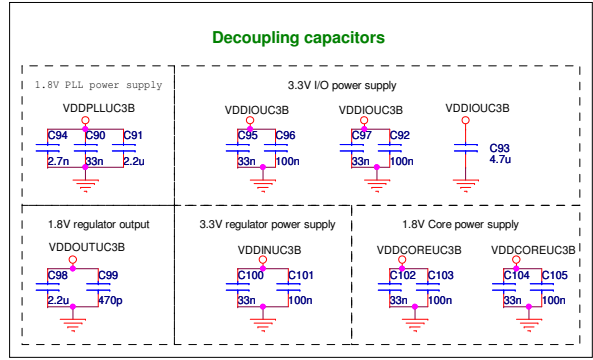
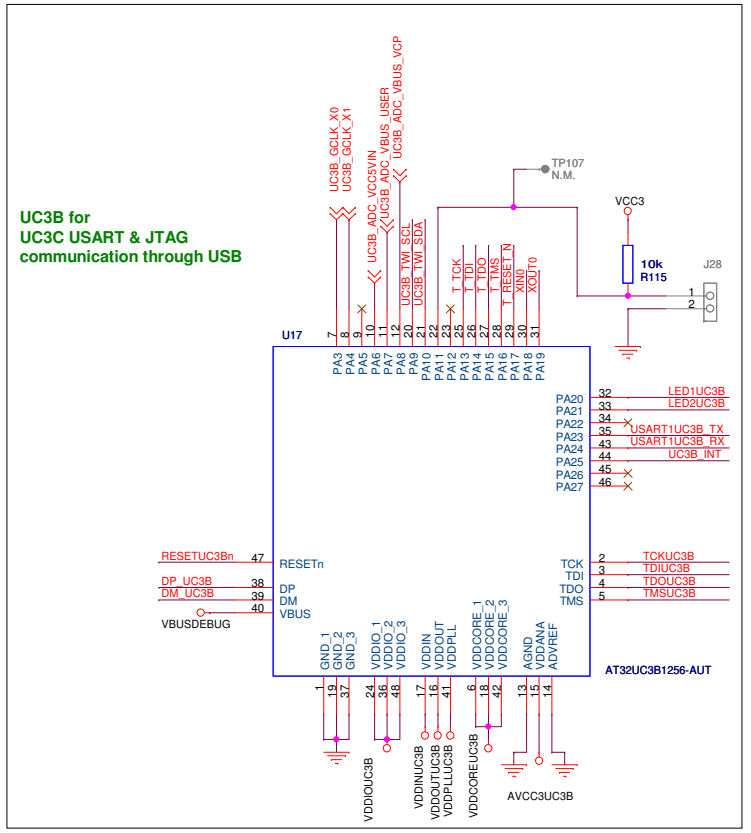
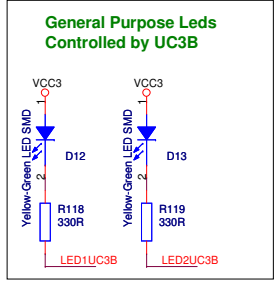
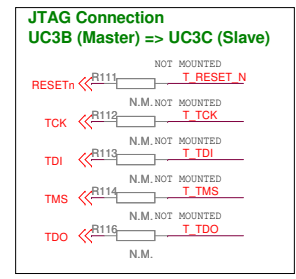
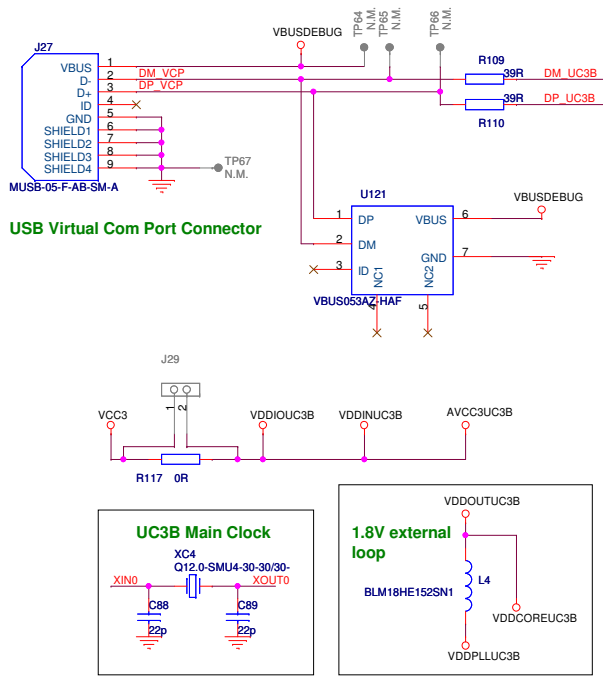
Production

ATMEL Nantes SA
 La Chantrierie BP 70602
 44306 Nantes Cedex 3
 FRANCE

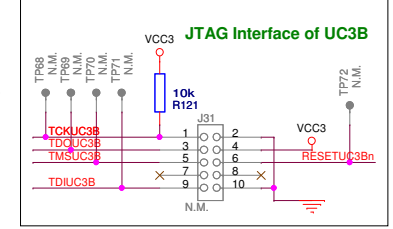
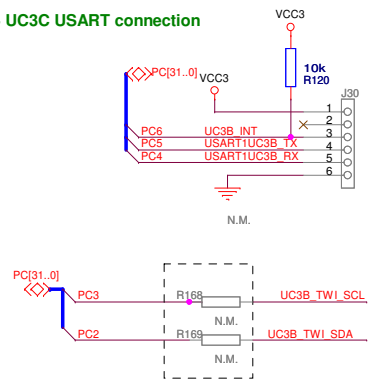


Title		AT32UC3C-EK	
Size	Document Number	Extensions	
A4			Rev 2

Date: Tuesday, October 13, 2009 | Sheet 10 of 13



UC3B <=> UC3C USART connection



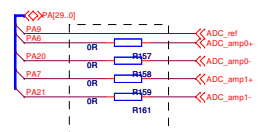
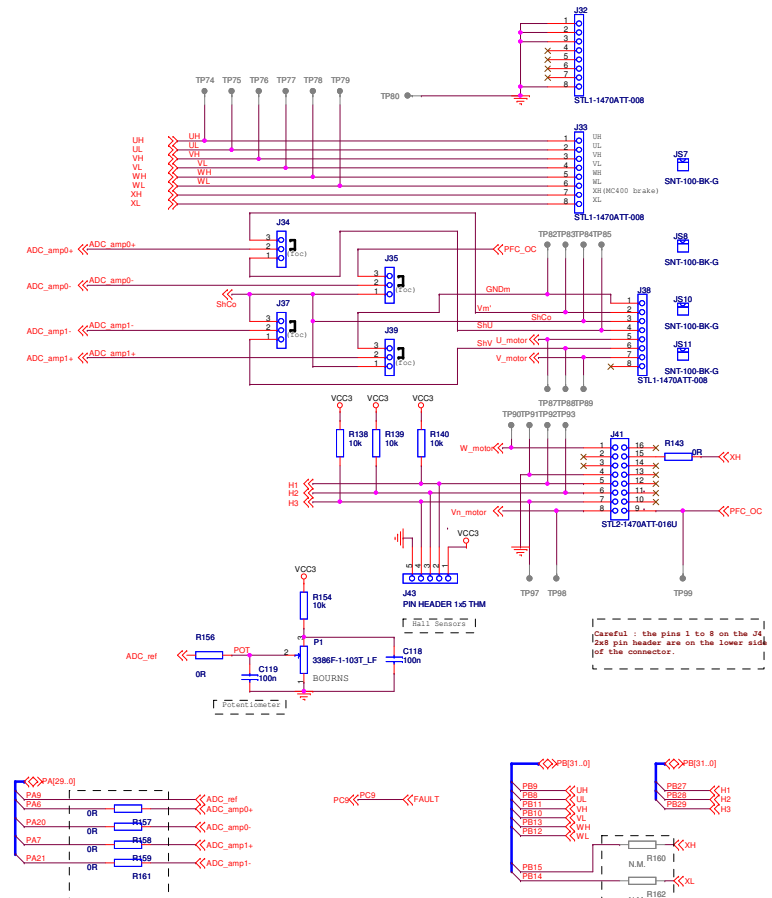
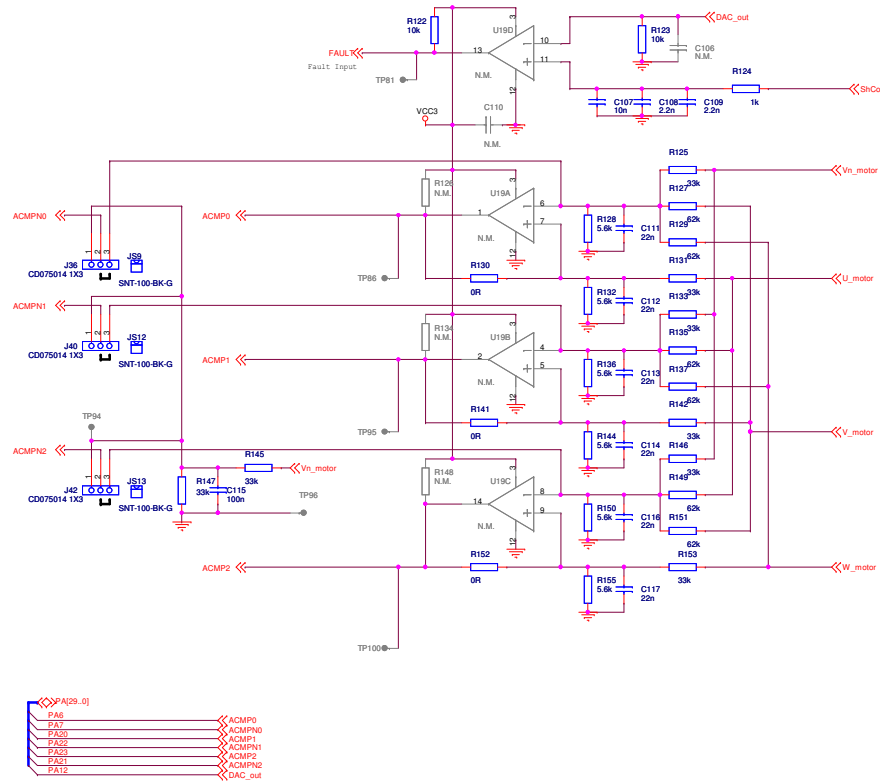
Production

ATMEL Nantes SA
La Chantrerie BP 70602
44306 Nantes Cedex 3
FRANCE

ATMEL

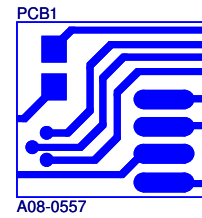
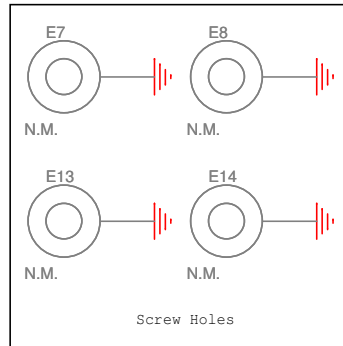
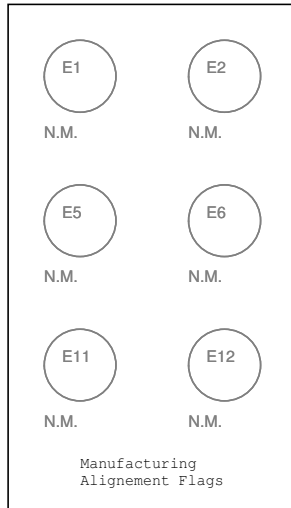
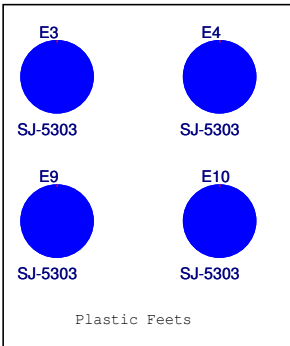
Title		AT32UC3C-EK
Size	Document Number	USB Virtual Com Port
A3		Rev 2
Date:	Tuesday, October 13, 2009	Sheet 11 of 13

MC300: Motor Control Interface



LOG FILE

REV 1/**Created (PYB)**



Production

ATMEL Nantes SA
La Chantrerie BP 70602
44306 Nantes Cedex 3
FRANCE



Title AT32UC3C-EK

Size
A4

Document Number
Log

Rev
2

Date: Tuesday, October 13, 2009 | Sheet 13 of 13